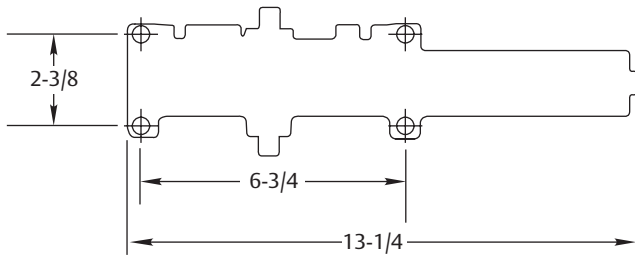
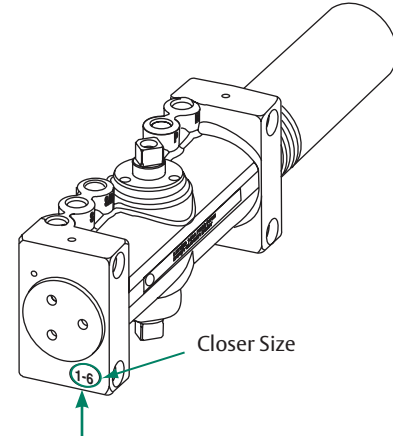


7500/7700 Series



Old 7500 models may be stamped "BF" or "2-6". They can be replaced with the new "1-6" model.

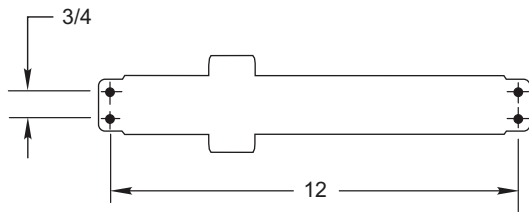
Standard 7500 = 4 valves (S/D, L, P&B)
 Delayed Action 7500DA = 5 valves (S/D, S, L, P&B)



Date Code - underneath; not shown (2 Alpha Characters)

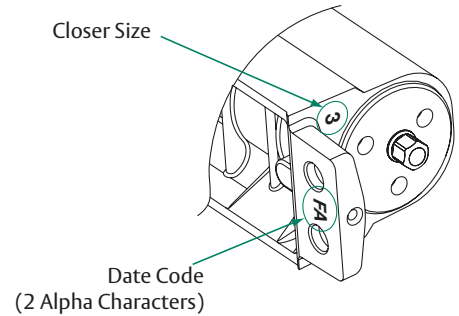
- 1-6 = 7500
- 2 = 7702
- 3 = 7703
- 4 = 7704
- 5 = 7705
- 6 = 7706

8000 Series

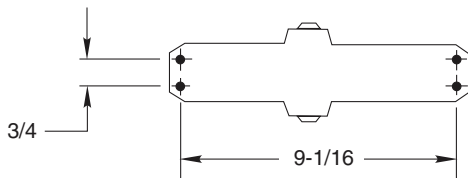


Older 8301 or 8501 models may be stamped "BF". They can be replaced with the "1-6" model.

- 1-6 = Blank
- 2 = 8302/8502
- 3 = 8303/8503
- 4 = 8304/8504
- 5 = 8305/8505
- 6 = 8306/8506

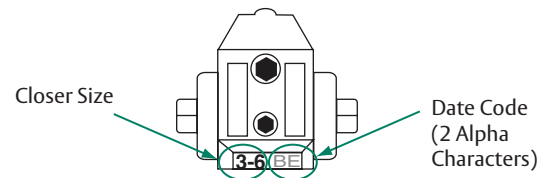


1600 Series

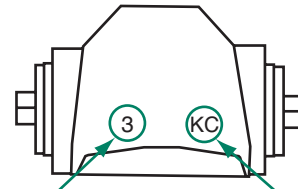
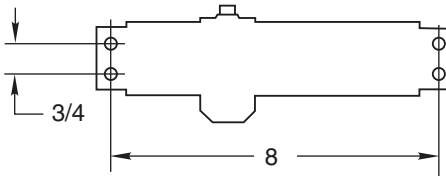


- 2 = 1602BC
- 3 = 1603BC
- 4 = 1604BC
- 5 = 1605BC
- 6 = 1606BC

- 3-6 = 1601
- 1-4 = 1601BF



1700 Series



Closer Size

Date Code
(2 Alpha
Characters)

- 1 = 1701(BC)
- 2 = 1702(BC)
- 3 = 1703(BC)
- 4 = 1704(BC)

Product Date Codes

A - January	Q - 1991	D - 2004
B - February	P - 1992	C - 2005
C - March	O - 1993	B - 2006
D - April	N - 1994	A - 2007
E - May	M - 1995	Z - 2008
F - June	L - 1996	Y - 2009
G - July	K - 1997	X - 2010
H - August	J - 1998	W - 2011
I - September	I - 1999	V - 2012
J - October	H - 2000	U - 2013
K - November	G - 2001	T - 2014
L - December	F - 2002	S - 2015
	E - 2003	R - 2016

Example:

Product Date Codes for closers are signified by a combination of two (2) letters. The first letter is the month the second letter is the year. For example, a date code of AK = January 1997

Norton Door Controls

3000 Highway 74 East • Monroe, NC 28112 • Tel: 1-877-974-2255 • Fax: 1-800-338-0965 • www.nortondoорcontrols.com

Norton® is a registered trademark of Yale Security Inc., an ASSA ABLOY Group company. These materials are protected under U.S. copyright laws.

All contents current at time of publication. Copyright © 2009, 2012 Yale Security Inc., an ASSA ABLOY Group company. All rights reserved.

Reproduction in whole or in part without the express written permission of Yale Security Inc. is prohibited.