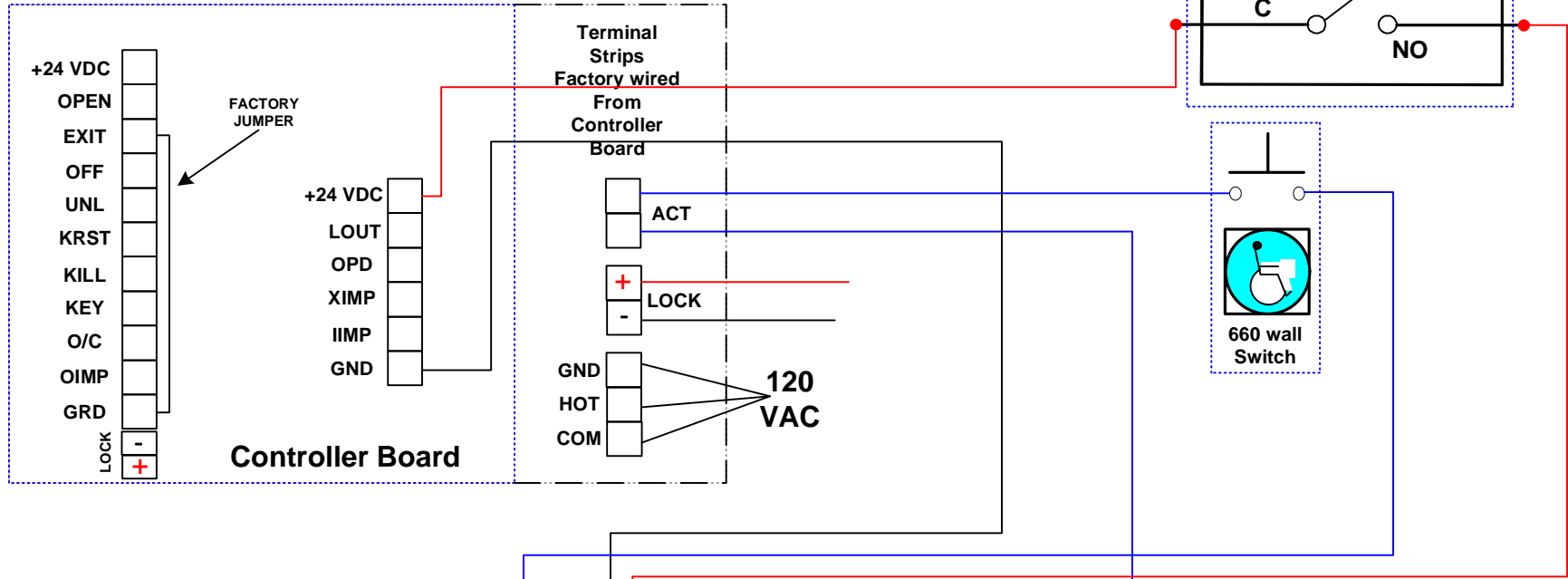
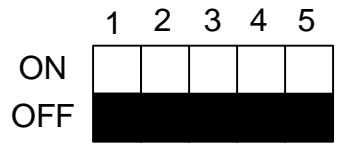


5900 X-in Operator x Corbin Russwin Electric Dogging (M97) and a Bar Monitor (M92) to Shunt Wall Plates

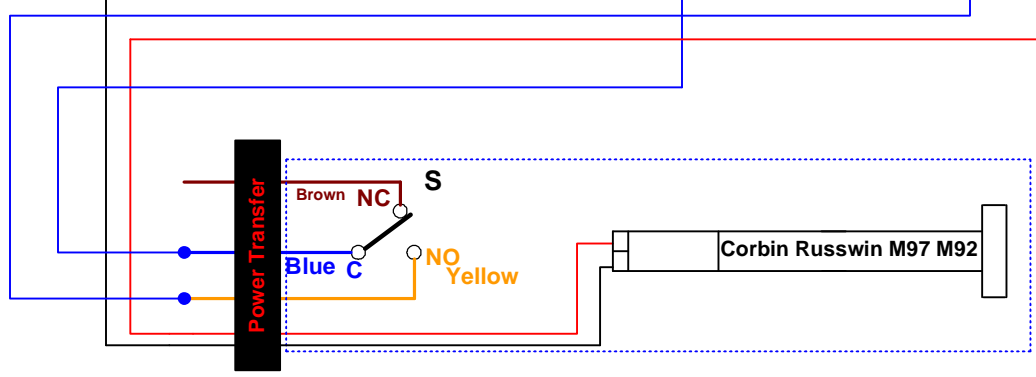
Norton 5900 Series X-in Power Operator



N/A For this Application



- 1-Lock 12V Off/24V ON
- 2-Locked WO Power (OFF) with Power (ON)
- 3- Lock Release (ON) Pulls door closer to jamb to free latchbolt
- 4- Lock kick
- 5- Not Used



Corbin Russwin Electric Dogging (M97) with Bar Monitor (M92) To Activate Wall Plate when Dogged