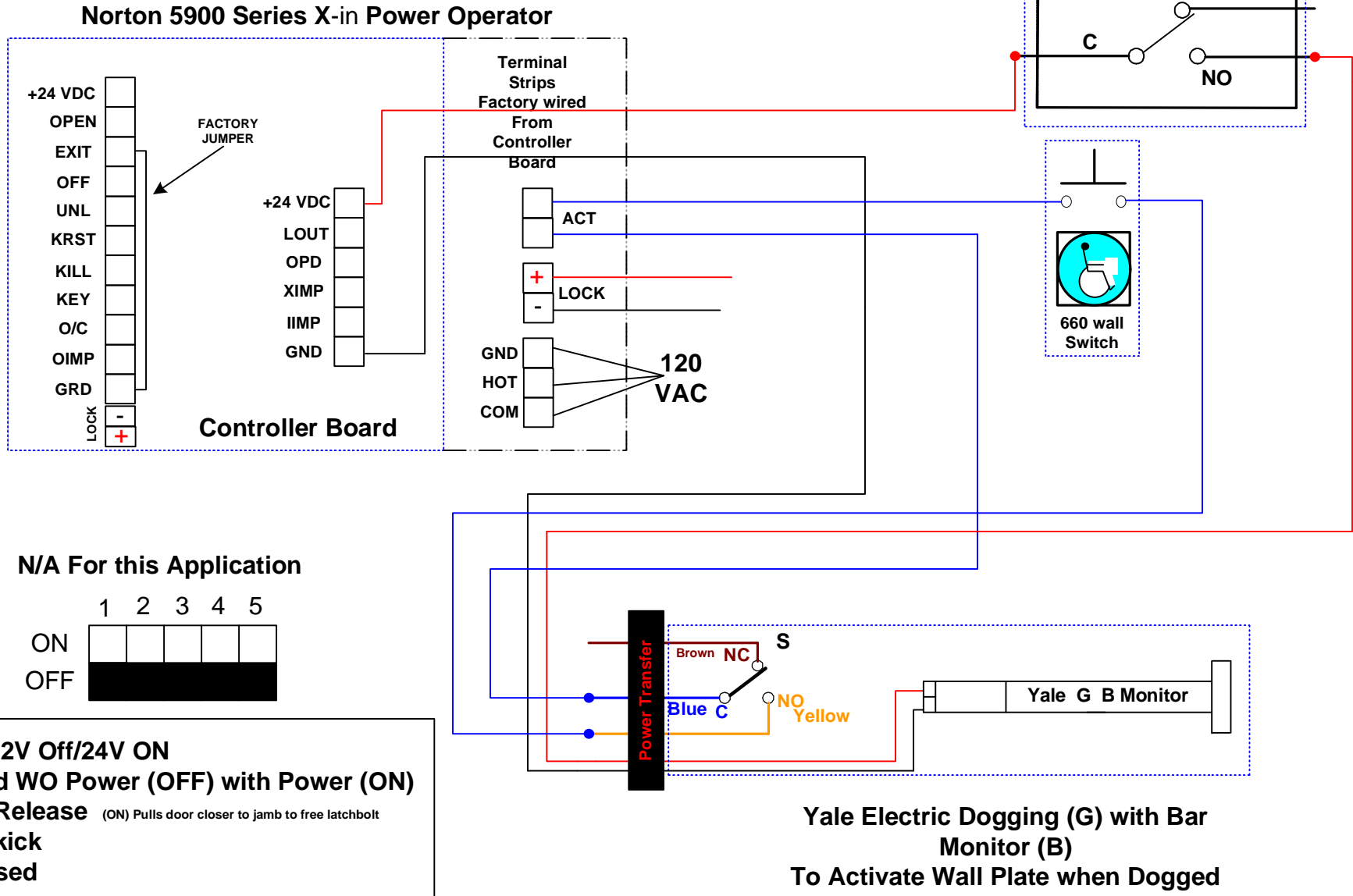
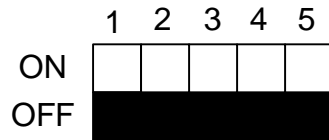


5900 X-in Operator x Yale Electric Dogging (G) and a Bar Monitor (B) to shunt Wall Plates



N/A For this Application



- 1-Lock 12V Off/24V ON
- 2-Locked WO Power (OFF) with Power (ON)
- 3- Lock Release (ON) Pulls door closer to jamb to free latchbolt
- 4- Lock kick
- 5- Not Used

Yale Electric Dogging (G) with Bar Monitor (B) To Activate Wall Plate when Dogged