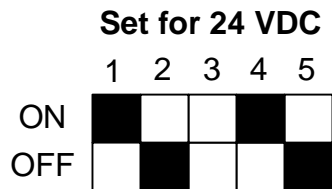
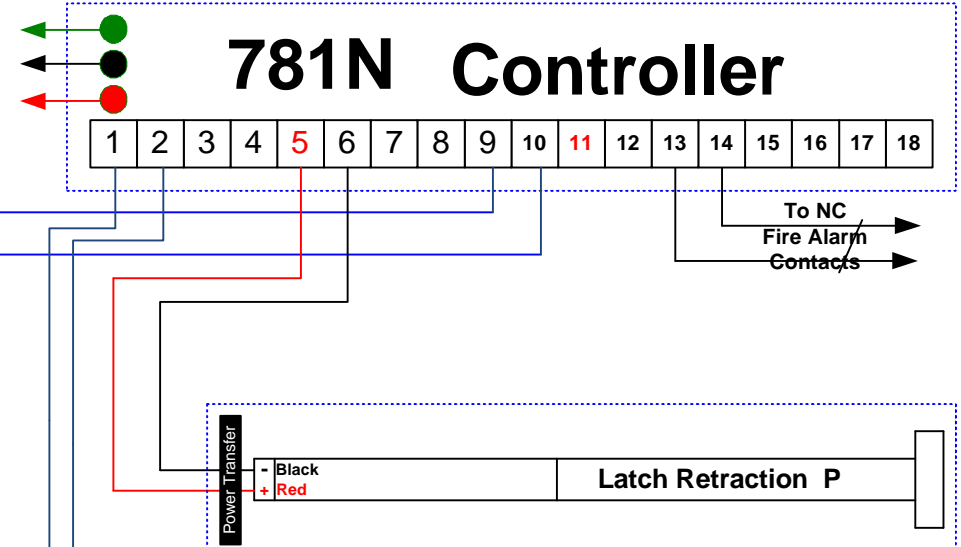
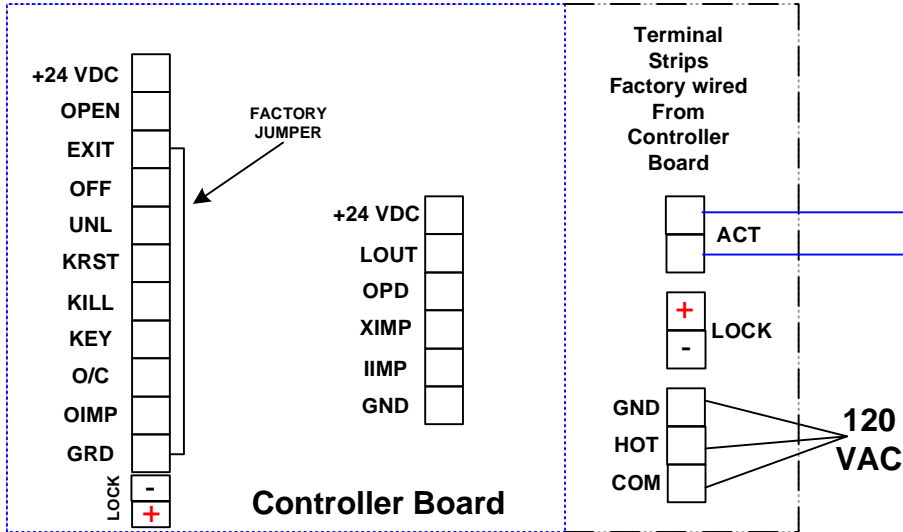


5900 X-in Operator x Yale P Latch Retraction

Norton 5900 Series X-in Power Operator



- 1-Lock 12V Off/24V ON
- 2-Locked WO Power (OFF) with Power (ON)
- 3- Lock Release (ON) Pulls door closer to jamb to free latchbolt
- 4- Lock kick
- 5- Not Used

